



7390 Salem Road | Northville, MI 48168
 PH: 800-929-3845 | 248-349-6565
 FX: 248-349-8992
 www.aaanchorbolt.com
 Sales@aaanchorbolt.com

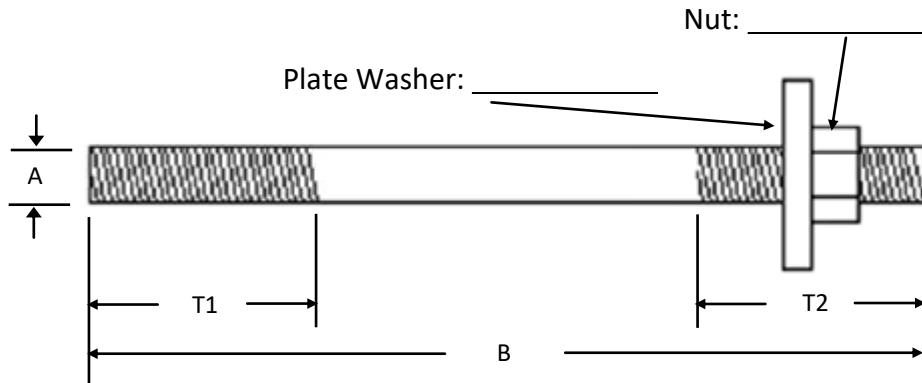
Date: _____

Customer Name: _____

Order #: _____

PO #: _____

DOUBLE ENDED STUD—TACKED WITH NUT & PLATE WASHER



QUANTITY: _____

Roll Thread:

Domestic:

Cut Thread:

Non-Domestic:

DIMENSIONS

A = _____

B = _____

T1 = _____

T2 = _____

MATERIAL

A36:

193 B7:

F1554 GRADE 36:

F1554 GRADE 105:

F1554 GRADE 55:

304 STAINLESS STEEL:

A449:

316 STAINLESS STEEL:

DOT:

OTHER:

NUTS/bolt

WASHERS/bolt

FINISH

HEAVY: _____

USS: _____

PLAIN:

REGULAR: _____

F436: _____

HDG:

2H: _____

LOCK: _____

ZINC:

OTHER: _____

OTHER: _____

OTHER:

ADDITIONAL INFORMATION: