



**ANCHOR BOLT, INC.**  
Building America Since 1979

7390 Salem Road | Northville, MI 48168  
PH: 800-929-3845 | 248-349-6565  
FX: 248-349-8992 | AAAnchorBolt.com  
Sales@AAAnchorBolt.com

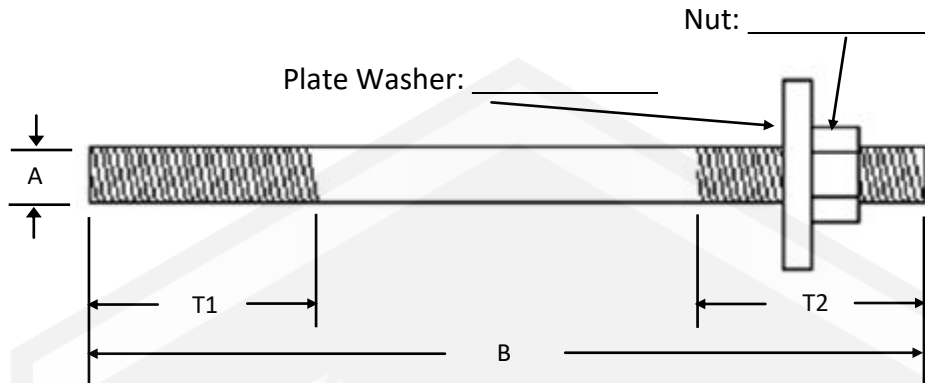
Date: \_\_\_\_\_

Customer Name: \_\_\_\_\_

Order #: \_\_\_\_\_

PO #: \_\_\_\_\_

**DOUBLE ENDED STUD—TACKED WITH NUT & PLATE WASHER**



QUANTITY: \_\_\_\_\_

Roll Thread:

Domestic:

Cut Thread:

Non-Domestic:

**DIMENSIONS**

A = \_\_\_\_\_

A36:

193 B7:

B = \_\_\_\_\_

F1554 GRADE 36:

F1554 GRADE 105:

T1 = \_\_\_\_\_

F1554 GRADE 55:

304 STAINLESS STEEL:

T2 = \_\_\_\_\_

A449:

316 STAINLESS STEEL:

DOT:

OTHER:

**NUTS/bolt**

**WASHERS/bolt**

**FINISH**

HEAVY: \_\_\_\_\_

USS: \_\_\_\_\_

PLAIN:

REGULAR: \_\_\_\_\_

F436: \_\_\_\_\_

HDG:

2H: \_\_\_\_\_

LOCK: \_\_\_\_\_

ZINC:

OTHER: \_\_\_\_\_

OTHER: \_\_\_\_\_

OTHER:

ADDITIONAL INFORMATION: