



**ANCHOR
BOLT, INC.**
Building America Since 1979

7390 Salem Road | Northville, MI 48168
PH: 800-929-3845 | 248-349-6565
FX: 248-349-8992 | AAAnchorBolt.com
Sales@AAAnchorBolt.com

Date: _____

Customer Name: _____

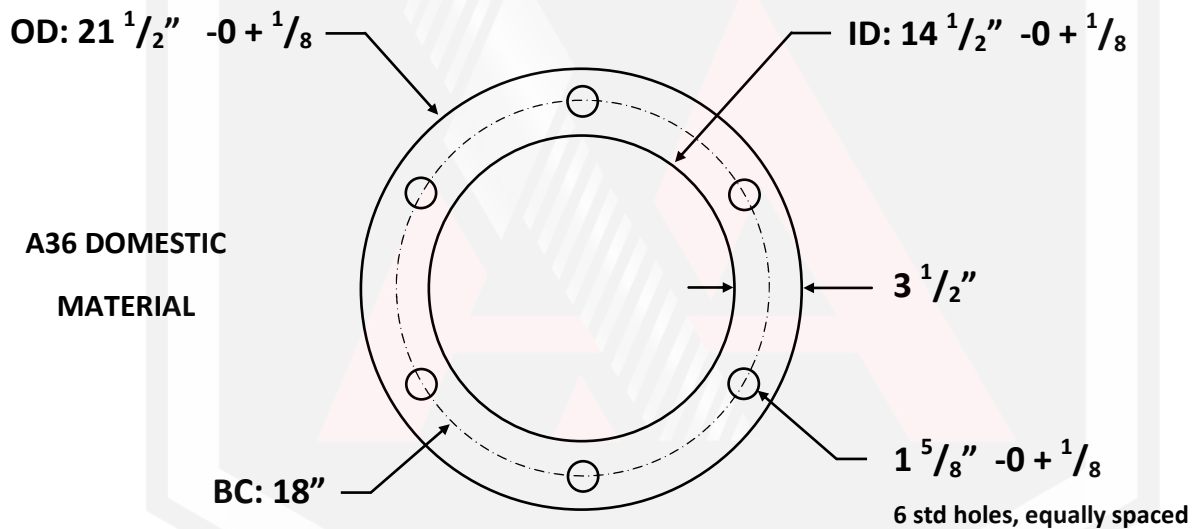
Order #: _____

PO #: _____

MDOT

1 1/2" THICK BOTTOM PLATE

For 1 1/2"-6 Diameter Bolts



QUANTITY _____

ADDITIONAL INFORMATION: